

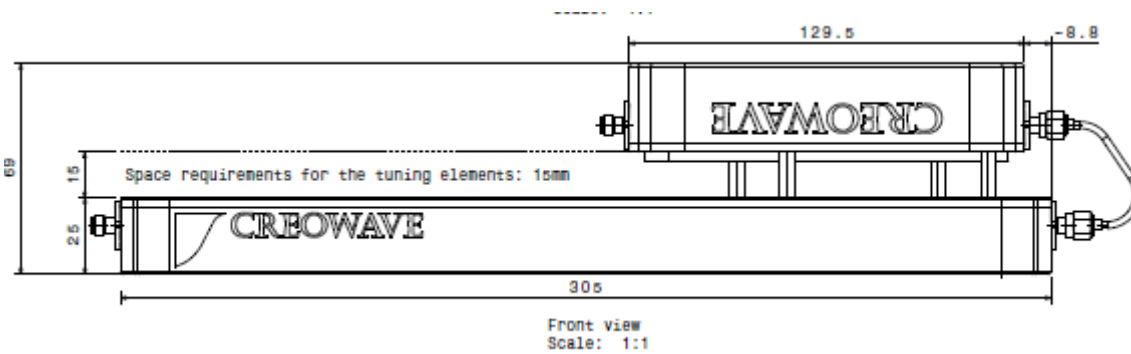
BAND STOP FILTER

CW-BSF-2496-2690-E10-M2

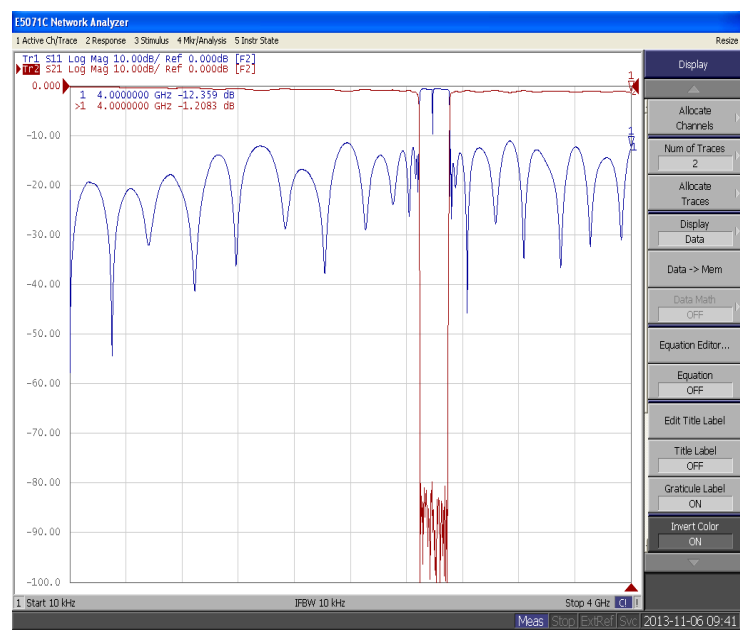
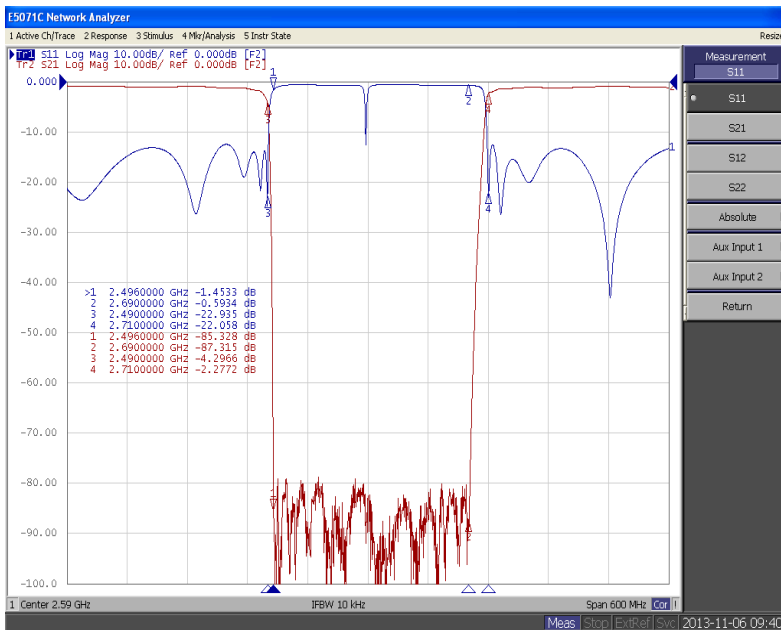
Technical Data:

Stop Band	2496 to 2690 MHz
Rejection in Stop Band	>70 dB
Lower Pass Band	DC to 2490 MHz
◆ Insertion Loss in Pass Band	<5.0 dB
◆ Return Loss in Pass Band	>10 dB
Upper Pass Band	2710 to 4000 MHz
◆ Insertion Loss in Pass Band	<4.5 dB
◆ Return Loss in Pass Band	>10 dB
Power handling	10W avg. / 100W peak
Nominal impedance	50 Ohms
RF connectors	SMA (f)

Mechanical dimensions:



Typical Performance:



CREOWAVE FILTERS